



**PART REVOLUTION
CONNECT YOUR PARTNERS
INTEGRATE YOUR TEAMS**



**SUPERCARGE EFFICIENCY
ACROSS YOUR SUPPLY CHAIN.**





PART REVOLUTION CONNECT YOUR PARTNERS INTEGRATE YOUR TEAMS



About iPart360

- iPart360 is solving the systemic inefficiencies in global manufacturing value chains from engineering, manufacture to delivery.
- Our powerful, user-friendly interface stores, controls and distributes parts and product information. Safely and securely.
- iPart360 integrates seamlessly with Autodesk Inventor and Dassault Systems SolidWorks – with Autodesk AutoCAD and Autodesk Revit plug-ins coming soon. Committed to partnerships that prosper, we're supporting several manufacturers across Australia and Asia with perpetual licences.

The iPart360 platform powers deeper collaboration - to streamline processes, strengthen quality control and boost productivity.

- Access and share CAD files and part details – anytime, anywhere.
- Harness practical tools designed by manufacturers for manufacturers.
- Secure your data, back up your files and control user access.



SEAMLESSLY MANAGE YOUR DATA AND DOCUMENTS

Control and authenticate parts and product files with ease – without CAD software. iPart360 enables supply chain users to:

- Gain live access to shared parts information – and receive instant change updates
- Download the latest data in widely used formats like PDF, DXF, STP and more
- Easily navigate details with the interactive, multilingual and bidirectional interface

YOUR INTELLIGENT, INTERACTIVE ASSET CENTRE

Centralise control, remove double handling, eliminate waste – and deliver greater confidence. iPart360 is affordable, easy to use and available in over 15 languages.



- To manufacture and manage parts cost-effectively – and maintain lead times – your supply chain needs current and accurate engineering assets and files.
- That's why iPart360 delivers detailed and easily verifiable information. It also fully integrates with Autodesk Inventor and Dassault Systèmes SolidWorks to instantly distribute your files.
- Give your users confidence that all parts are supplied and procured on time and within budget. And provide them with a single source of truth – to help power lean warehouse inventory management.

Real-time information Send updates to authorised supply chain users in an instant. Empower them with the latest procurement requirements – and equip them with 360-degree part views on smart devices.

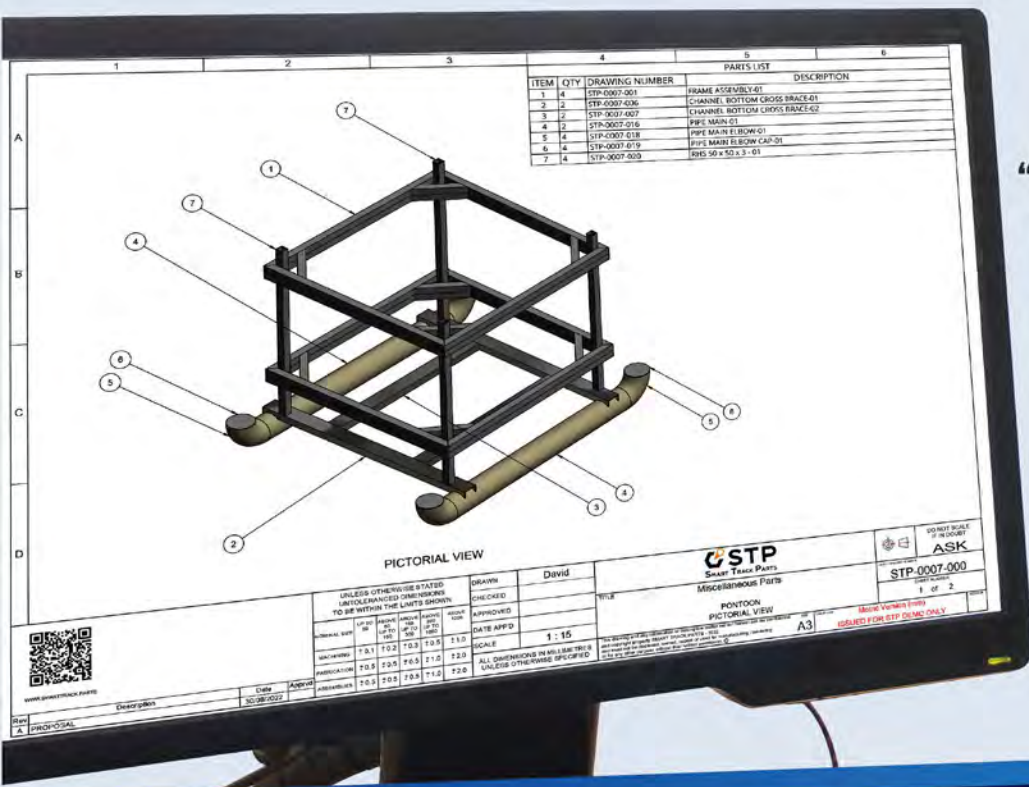
Anywhere, anytime accessibility Give your users instant online access from any phone, tablet or computer. And power global collaboration with iPart360's bidirectional interface and multilingual support.

User-friendly interface Enable your users to easily access reliable details and data to streamline procurement. With the interactive UI, they can search by part number, description, QR code, NFC tag, Text recognition.

Low waste, high production With easily verifiable data, your supply chain users will reduce material wastage and prevent incorrect parts from being manufactured. The result? Boosted confidence and productivity.

Data protection and backup Manage your IP in one central location and remotely edit user access rights for secure document control. All data is backed up daily/weekly/monthly with our reliable third-party hosting.

Scalable design and features We'll build a web portal tailored to your needs that's equipped with practical features. Streamline paper-based, labour-intensive processes – and free your people to focus on high-value tasks.



“For too long, document control and authentication have been error-prone and resource-draining. So, I drew on my four decades in manufacturing to design a much more efficient and secure solution.”

David Allix
CEO, iPart360
CEO, Global Drawing Network



iPart360 Architecture





IPC INTERACTIVE PARTS CATALOGUE



“Making part process improvement a reality.”



IBOM INTERACTIVE BILL OF MATERIAL





TOP FEATURES, DEEP BENEFITS

With iPart360's practical – yet powerful – interface, your users can work smarter and manage your manufacturing data with ease, here is a sample of these features and benefits.

- ✓ **Advanced search:** Search by part number, description and category. Plus, use smart devices to search by QR code, NFC tag, Text recognition. To compare scanned and current revisions.
- ✓ **QR code:** Identify and validate drawings with automatic QR code insertion. Create labels to provide users with accurate part and product information.
- ✓ **NFC tags:** Integrate and support rewritable NFC tags and labels.
- ✓ **Part history:** Review and document all part history, information and files.
- ✓ **360-degree views:** We fully integrate the Autodesk API – to empower users to view and rotate parts and products on smart devices.
- ✓ **Live information:** Verify product and part information in real time. Use the easy-to-navigate interface to review the current version, description and status.
- ✓ **Document control:** Benefit from simpler and less labour-intensive document control. And free your people to focus on more important tasks.
- ✓ **Files:** Manage your IP in one location, with integrated storage and backups.
- ✓ **Interactive bills of materials:** Empower your purchasers and suppliers with even more functionality to quote, view drawings, and access DXF and STP files.
- ✓ **Interactive parts catalogue:** Provide users with exploded pictorial views and parts list.
- ✓ **Interactive feed:** Enable users to centralise comments and write notes on all parts.
- ✓ **Assembly instructions:** Streamline product assembly by delivering animations and instructions based on user IDs or workstations.
- ✓ **Forms:** Create digital forms, quality assurance forms and assembly instructions to simplify complex processes across your supply chain.
- ✓ **Analytical reporting:** Harness advanced insights with detailed graphical and textual reports.
- ✓ **Improved PPAP:** Make the production part approval process more efficient with linked drawings and quality assurance forms.
- ✓ **Range of registers:** Use the product register to display products in groups for easy reference. The part register to browse tabs for additional textual and visual information. And the supplier register to view common suppliers and adjust access settings.
- ✓ **Warehouse support:** Integrate QR codes, NFC tags and labels with essential information. We can build bespoke features to assist when parts are received and dispatched.
- ✓ **Customer service:** Support your customers by easily providing documents, parts catalogues, spare parts and more.
- ✓ **Admin management:** Support your users while staying secure. Remotely control access rights and settings from our central platform.



WHY CHOOSE iPart360?

iPart360 equips your partners and teams with improved productivity, collaboration, and IP security. Here's a sample to show why.



Interactive Asset Management Centre



Instant (and controlled) Data Sharing



Ultimate Revision Confirmation



Intuitive User Interface



Automatic Interactive Bills of Materials



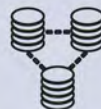
iComment



Global Reach



Deep Customisation



Cost-Effectiveness



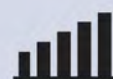
Combined Cad Viewer and Product Lifecycle Management



Comprehensive File Formats



Competitive Prices



Highly Scalable Concept



OUR PASSION

- We're committed to being a valued and reliable long-term partner for product development and design to help businesses realise major cost savings.
- Our people are fuelled by innovation – harnessing technology to develop software applications that extend design and delivery into other media.

WANT TO SEE HOW iPart360 SEAMLESSLY INTEGRATES AND POWERS PRODUCTIVITY?

Get in touch to experience a free demo.



Australia: Brisbane, Queensland,

Thailand: Bangkok

India: Bengaluru, Karnataka



iPart360.com



sales@ipart360.com



+61 447 555 000
+61 447 555 111

Global Drawing Network services

- Mechanical Engineering Design and Drafting
- CAD Customisation: Autodesk - Inventor & AutoCAD, Dassault Systèmes - Solidworks
- 3D Rendering and Animations
- Offshore Manufacturing Support

Partnerships that prosper

CII

Wadco

AWL

Jackaroo

Exintech

Wharf Engineering

Nogoia Engineering



globaldrawingnetwork.com



sales@gdncompany.com



+61 447 555 000
+61 447 555 111

